

City Fibreglass®

INSTALLATION INSTRUCTIONS FOR INTERNATIONAL IN-WALL STEPS

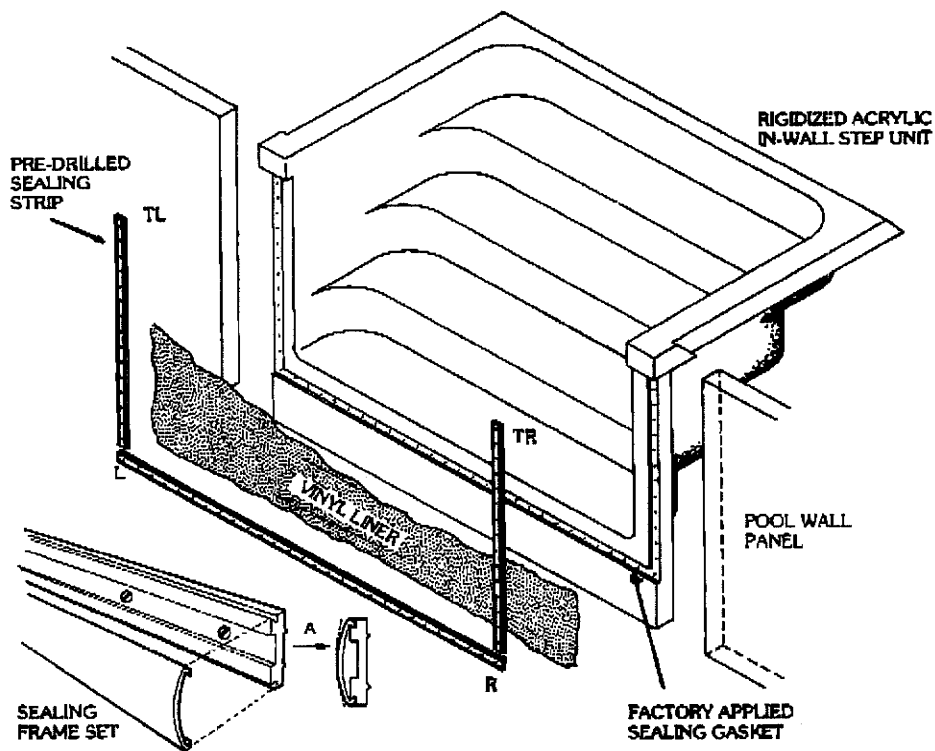


FIGURE 1. — Typical for all International In-Wall Steps

PARTS LIST

Models

IWS-4

IWS-4-9

IWS-6

IWS-6-9

IWS-8

IWS-11RM

IWS-L

each model comes with

1 — Step

3 — Sealing Strips

3 — Beauty Strips

1 set Stainless Steel

Self-taping screws

1 set of instructions

9. Remove the sealing strips, using a medium Phillips screwdriver. The 2 vertical strips are marked TL (top left) and TR (top right), and the ends of the horizontal strips are marked L and R. Install the liner in the normal way and allow it to drape across the step opening.
10. Install the horizontal strip first, taking note of the L and R markings. Working from the pool floor up and from the center of the strip outwards ensure that there is enough liner between the pool floor and the strip so that the liner will lay against the pool floor, cove and bottom step riser, without wrinkling, once pool filling begins (ensure that the water level is at least 2 inches below the bottom sealing strip before tightening the screws). At this stage just install every 3rd or 4th screw, to puncture the liner.
11. Install the vertical strips next, again taking note of the TL and TR marking. Push the liner into the step opening before installing any screws so that the liner lays flat, without wrinkling, against the adjacent pool walls. Again just install every 3rd or 4th screw as in 10.

12. Once satisfied that the strips in 10 & 11 are set to provide a wrinkle-free appearance once the pool is filled, install the balance of the screws. Tighten each screw until the screw heads bottom uniformly on the strips and then give each screw a further full turn.
NOTE: This provides triple sealing of the step unit against pool leakage. The pool side of the liner is deformed and sealed by the underside strip ribs, the wall side of the liner is sealed by the factory-applied foam gasket, and the screw holes are sealed because the P.V.C. plastic strip insert accepting the screws is totally encapsulated in FRP.
13. Carefully remove that portion of the liner draped across the pool opening using a sharp knife and the "opening" sides of the sealing strips as guides for the knife blade.
14. Install the beauty strips by tipping one edge into the strip lip, Fig. 1. Pressure applied at "A" with a wooden dowel or small screwdriver handle will cause the beauty strips to snap into the other frame lip. Movement of the dowel, while still applying pressure, along the length of the strip will cause the cover to "zip" into place with little effort. Any excess cover material can be trimmed with snips before the covers are totally installed.
15. Fill the pool in the normal way.

DECK TREATMENTS

Most deck treatments can be used with International In-Wall Steps. Regardless of the one chosen, care must be taken to ensure that NO concrete or mortar for the deck is allowed to get under the rear side of the step unit. This can be accomplished by compacting the backfill in 8 to just above edge B-B in Fig. 3, thus avoiding step heaving in areas of heavy frost. A series of at least 3 deck joints running back from the step unit will also help in such areas.

MAINTENANCE

The only maintenance required to provide lasting enjoyment of International In-Wall Steps is occasional washing, as required, to remove normal scum that may build up at the water line. ONLY liquid household cleaners and soft brushes should be used so that the acrylic finish does not become scratched and dulled.

Seasonal polishing with any good grade paste wax will return the acrylics "like-new" luster.

WINTERIZING

International In-Wall Steps installed in northern climates may be susceptible to the rigours of winter if not properly winterized. The following MUST be done in such climates.

1. Lower the pool level no lower than recommended in the pool guide for the pool construction used.
2. Install an expansion preventer in the step opening that will contract and expand with any ice movement and reduce stresses on the step unit. Such preventers can be simply 3 or 4 large plastic bleach bottles or an innertube. These must be partially filled with anti-freeze/water mix, tied to bricks, and set in place per Fig. 3 so that they float mostly submerged.
3. If poured concrete footings were used in installation procedure 6, they should come just above the bottom step to avoid any moisture in the backfill from freezing/expanding between the footing and bottom step.
4. The steps must be supported by backfilling, and this is best achieved using gravel. Sand or dirt are too water absorbent, and will expand when frozen.
5. If step supports are used, they must sit on proper footings.

INSTALLATION -- CURVED OR STRAIGHT, SIX OR EIGHT

All City Fiberglass In-Wall Steps feature thermoformedrylic skins rigidized with fiberglass for toughness, lasting appearance, weather and UV resistance, and ease of Maintenance. They feature integral wrap-around coping treatments to suit all coping systems and provide a true custom appearance with most deck treatments. Four equal steps (3 equal steps on Model IWS-4), with molded safety treads, ensure safe pool entry and exit. In addition, the triple liner seal provides a leak-proof installation for the life of the pool. A few minutes spent in reviewing these instructions now will make the total installation not only easier but also one that will ensure the features built into International In-Wall Steps will be enjoyed for years to come.

1. Determine where in the pool shallow end wall system the in-wall steps will have the best aesthetics and utilization from entry/exit standpoints.
2. Erect the pool wall system in the normal way, without final bolt tightening, leaving a horizontal space (as determined in 1) to suit the step width from chart at left.
3. Position the Step Unit, with Sealing Strips attached as received, into the wall opening and temporarily secure the step flanges to the wall flanges with large vise-grips or C-clamps, per Fig. 2.

4. Working one side at a time adjust the relative positions of the step flange and wall flange such that the vertical dimensions "A", Fig. 2 & 3, is equal or slightly greater than the maximum height of the coping to be used and such that the pool side of the wall is flush with the top of the vertical sealing flanges, Fig. 3.
5. Once satisfied that the conditions of 4 are met, reclamp securely. Using the holes in the wall flanges as a template, drill matching holes into the step flanges and secure with usual wall system bolting. The bolt heads, with an oversize washer under them, **MUST** be on the step side of the flange assembly.
6. Level the pool wall/step/pool wall assembly the same as a normal run of wall, using A-frames per Fig. 2, and complete pool bottom and trench bottom concrete work in the normal way per Fig. 3. Additional support under the top step, using concrete block (or adjustable step support as per Fig. 3*) on footings with grout against the understep surface will provide the most stable installation. (See Winterizing note. 3.)
7. Install the coping to the pool walls so that it butts evenly to the step unit on both sides. Care in this procedure will prevent a lasting blemish that cannot be eliminated once deck treatments are complete.
8. Backfill the step unit, the same as the pool walls, taking extra care to eliminated voids under the steps by compacting.

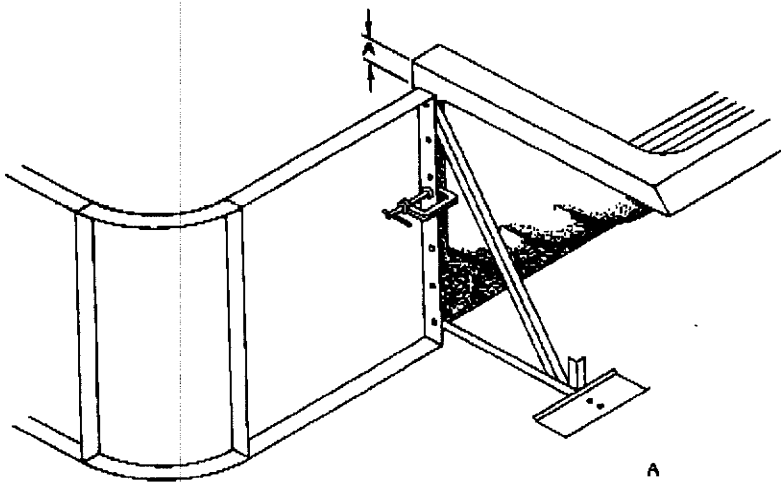


FIGURE 2. -- Wall/Step Unit Assembly

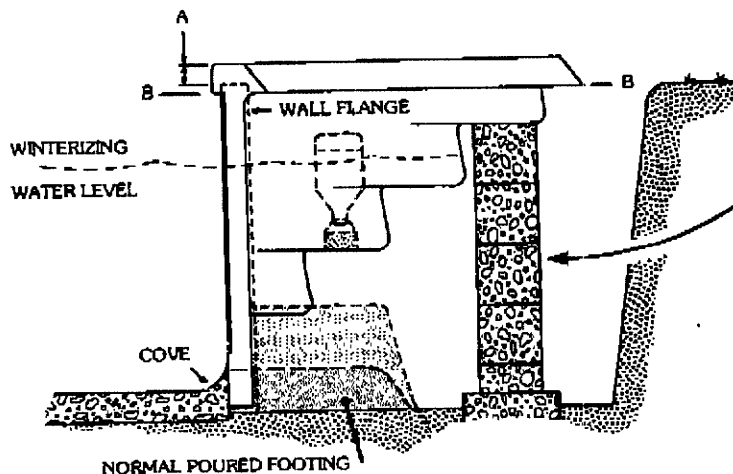
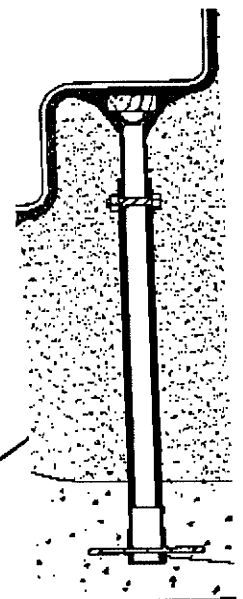


FIGURE 3. -- Also illustrating Sections A-A from Figures 2 and 3.



*FIGURE 6.-
Optional Adjustable
Step-Support