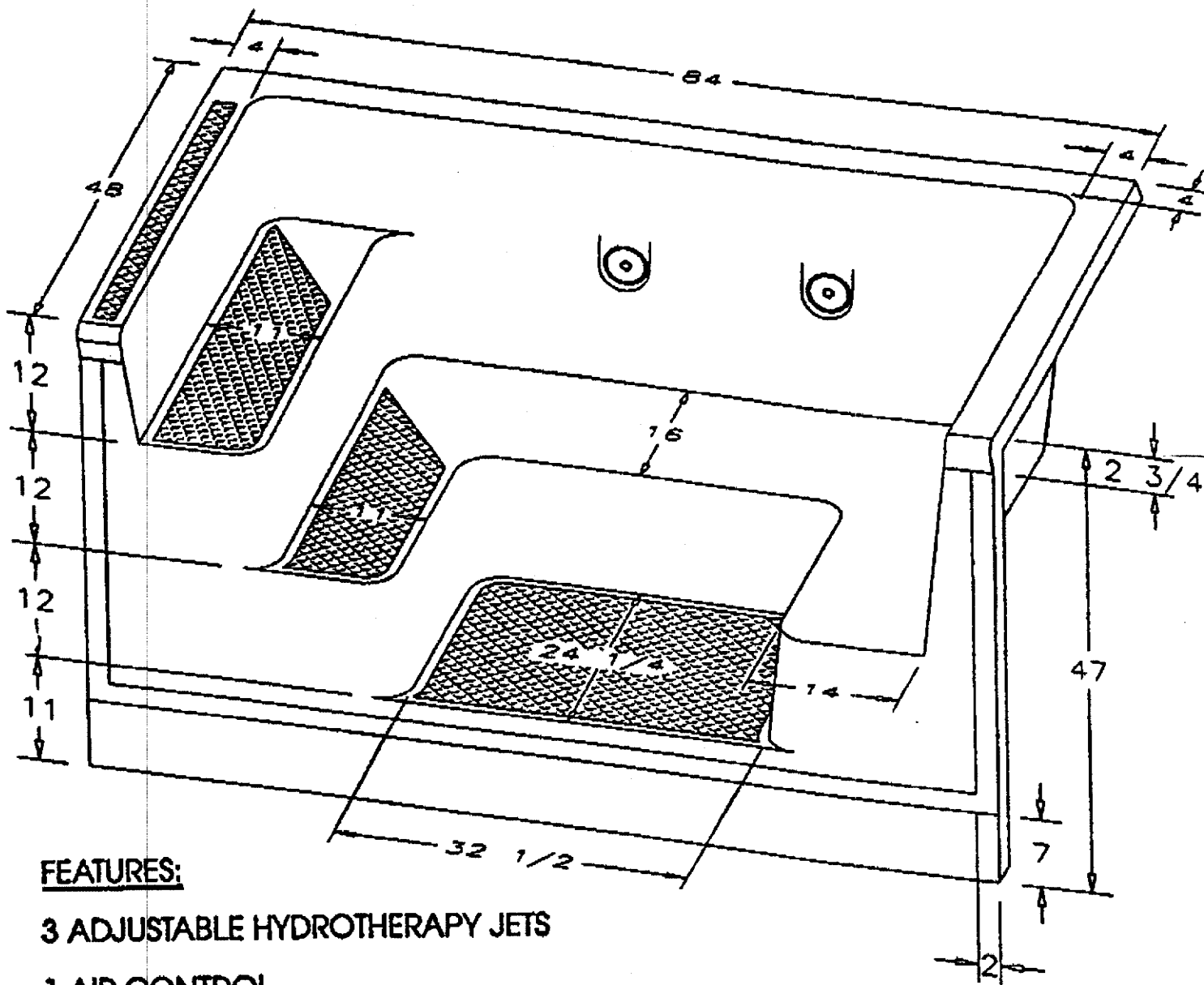


# IN-WALL STEP LOUNGE



## FEATURES:

3 ADJUSTABLE HYDROTHERAPY JETS

1 AIR CONTROL

TEXTURED TREADS FOR SAFETY

ERGONOMICALLY DESIGNED SEATING

CONSTRUCTED OF TOUGH D.R. ACRYLIC

REINFORCED WITH FIBREGLASS



**TRIAC**

Industries Inc.

**STEP-LOUNGE CF-SL-9-1**